

## MOUNTING INSTRUCTION

Köllach, 24.11.2014

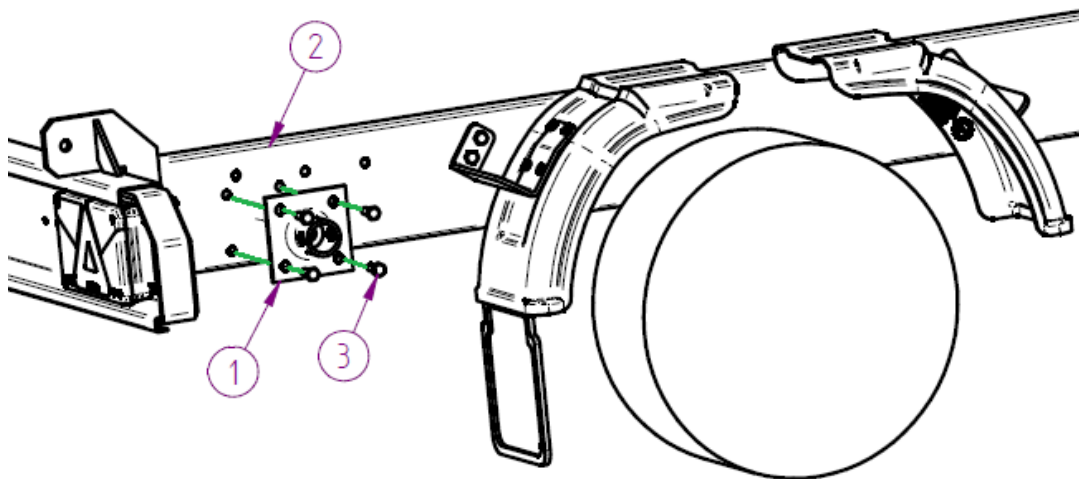
**Subject:** Mounting of the parking support with adapter plate on the model series RK (2300/15 G, 2600/15 G, 2600/15 T)

### Description:

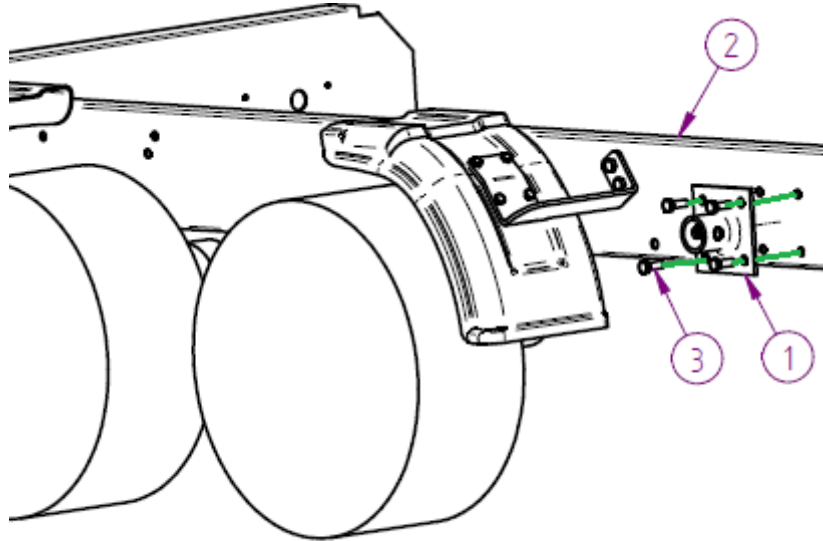
To avoid the trailer rising at the front when lifting the loading platform, the optional available parking supports can be mounted on the rear side of the chassis frame. The following mounting instruction shows the detailed mounting and adjusting procedure.

### Procedure:

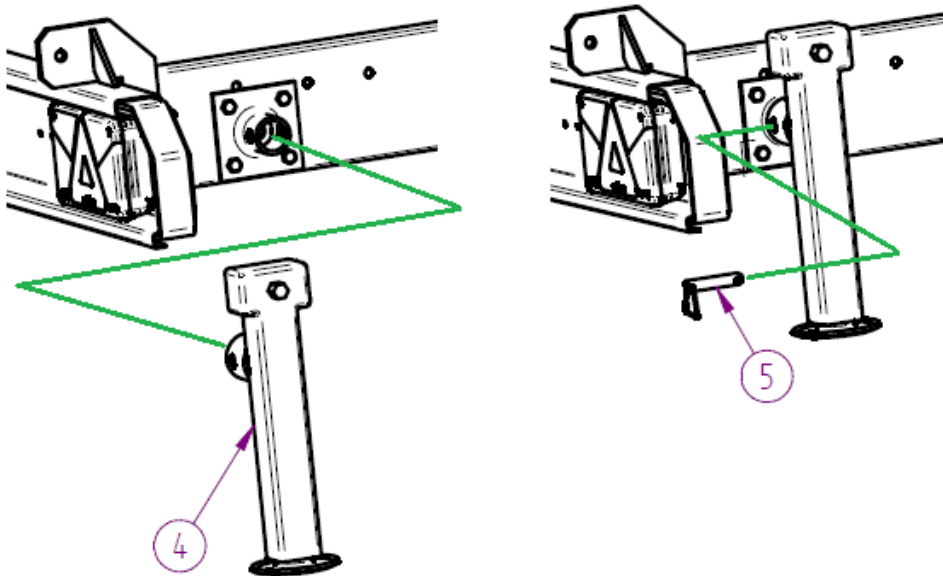
1. Position the adapter plate [1] on the chassis beam [2] between mudguard and rear fender that the bores of the plate agree with the bores of the chassis beam.
2. Fit the included M10-hexagon screws [3] from the outer side into the bores and tighten with the washers and self-locking nuts.



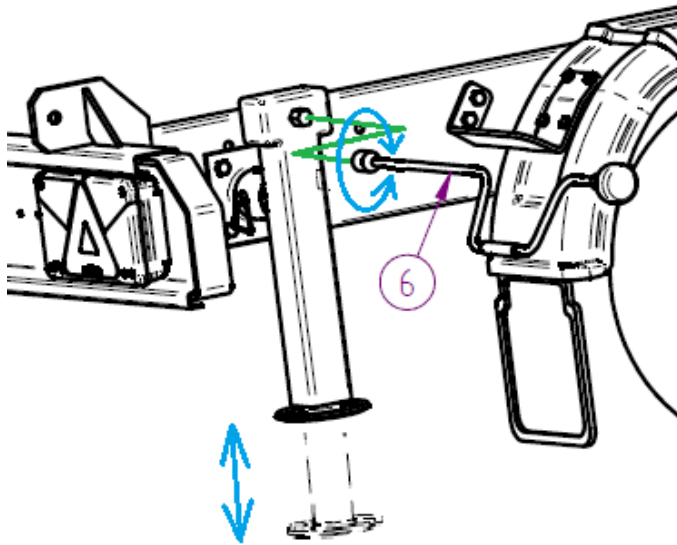
At type RK 2600/15 T an extra adapter plate [1] will be mounted ahead the axles on the chassis beam [2] with the included M10-hexagon screws [3], washers and self-locking nuts as shown in point 2.



3. Mount the parking support [4] on the adapter plate and secure with the belonging bolt [5].



4. Now adjust the parking support to the ground with the hand crank [6].



**ATTENTION:** Only use the parking supports in pairs on the left and right side!

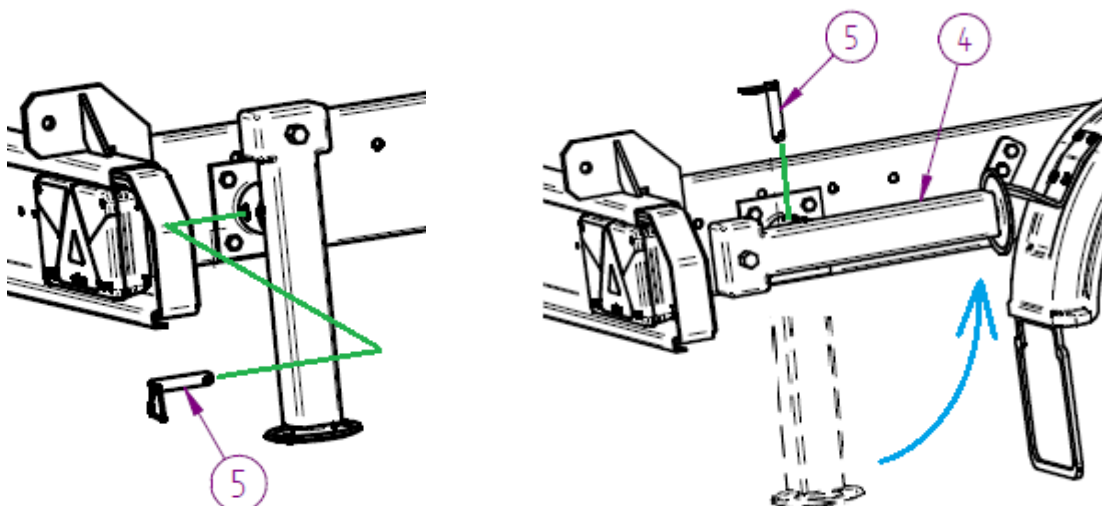
The parking supports may only be vertical positioned and extended when the trailer is parked!

In driving operation the parking supports have to be turned into the horizontal position or dismantled from the trailer!

5. Fixing in driving position:

**2300/15 G und 2600/15 G:**

Extract the bolt [5], turn the parking support [4] into horizontal position and secure with the bolt again.



**2600/15 T:**

Extract the bolt [5], dismount the parking support [4] from the rear adapter plate and remount on the front side adapter plate in horizontal position. Then secure with the bolt [5].

